

Clip



SOVET

ITALIA

**Appendiabiti in lamiera di metallo tagliata a laser,
saldata e verniciata, varie finiture.**

Coat hanger in laser-cut, welded
and varnished metal. Various finishes.

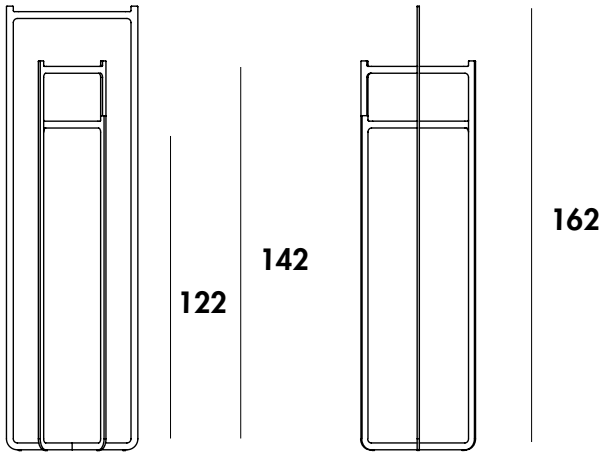
Clip coat hanger

Design by Nendo/Discipline

Gallery



Models & Dimensions



48



Finiture struttura / Structure finishes

Metallo/Metal



GN

GC

GB

GT